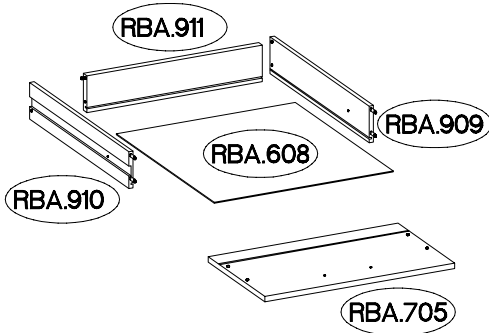
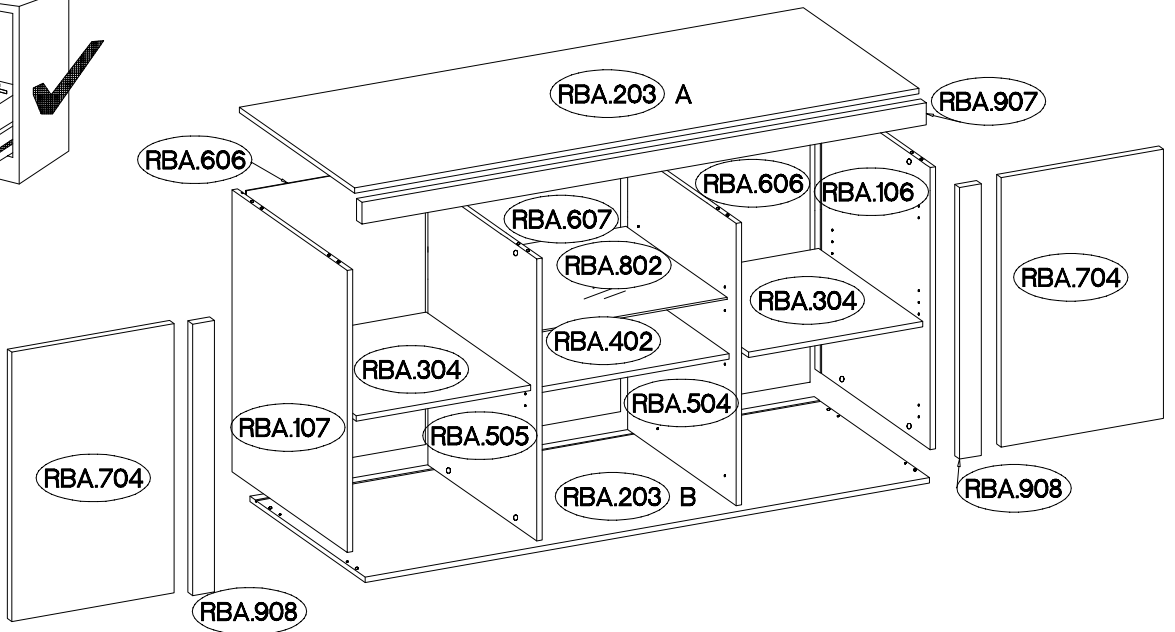
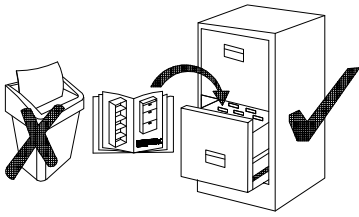
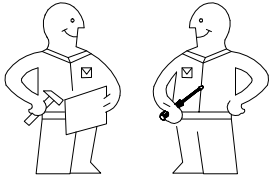
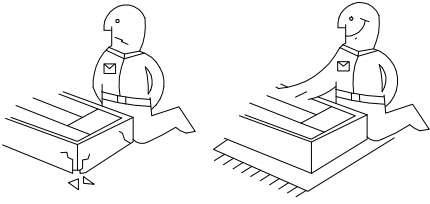
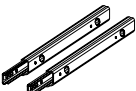
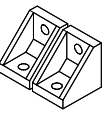
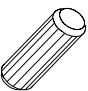
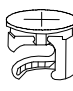
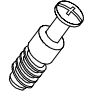

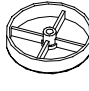


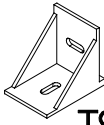
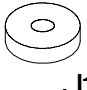


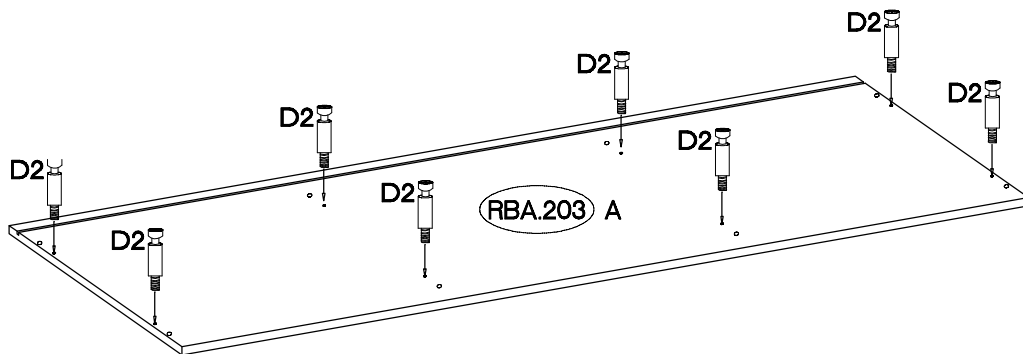
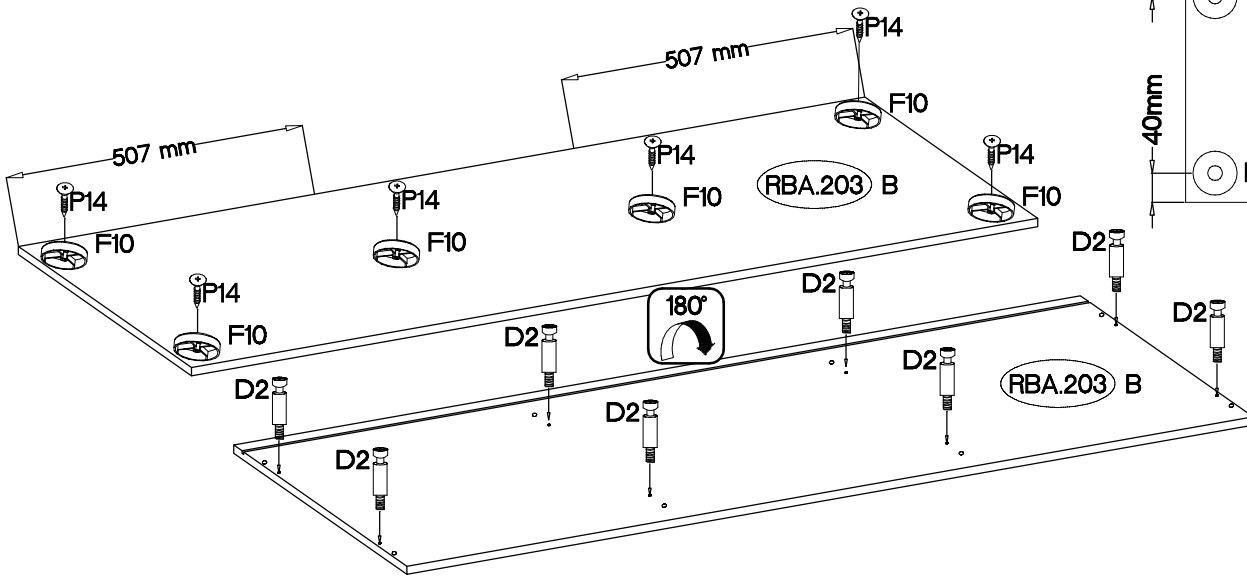
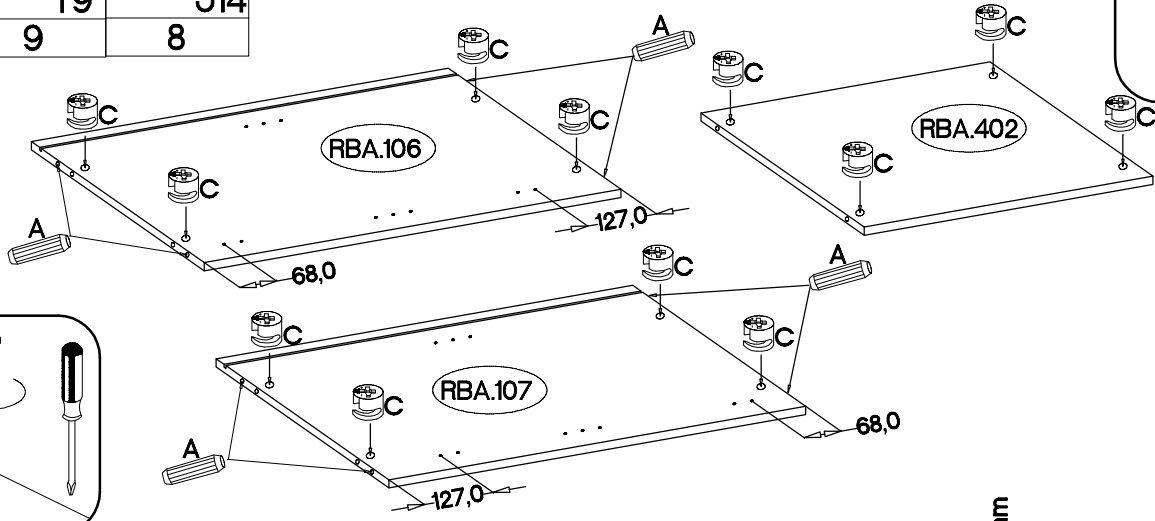
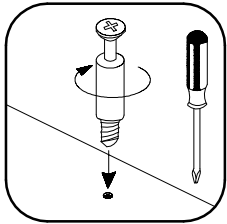
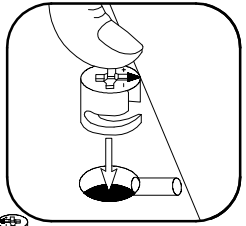
ROCHESTER



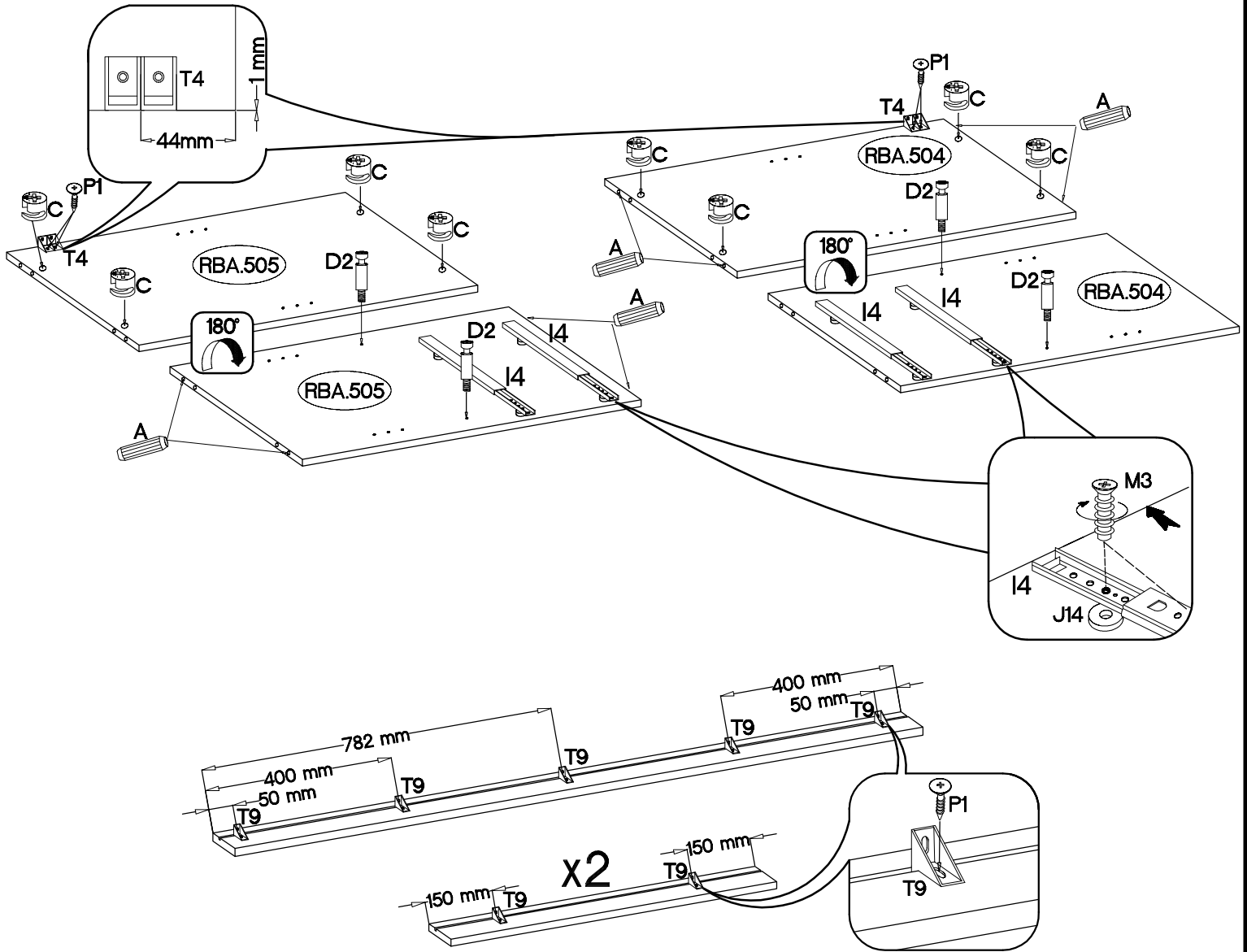
		$\pm 20/8\text{mm}$ J14 8	$\pm 10 \times 50\text{mm}$ O7 2	 L9 2
		$\pm 6,3 \times 20\text{mm}$ M3 8	$\pm 6 \times 42\text{mm}$ B2 4	 T9 9
			 F10 6	$\pm 4,0 \times 25\text{mm}$ P14 6
	 L2 10	$\pm 3,5 \times 13\text{mm}$ P5 10	$\pm 4,0 \times 16\text{mm}$ P1 26	$\pm 4,0 \times 30\text{mm}$ R2 8
			 J12 4	$M4 \times 9\text{mm}$ U1 4
			 O1 1	$310/27\text{mm}$ I 2
			 T4 2	
 E 16	 H 4	$\pm 3,0 \times 20\text{mm}$ P7 13	$L=20\text{mm}$ D2 20	$\pm 15/12\text{mm}$ C 20
			$\pm 8 \times 30\text{mm}$ A 28	 L 14
			$L=128\text{mm}$ S1 4	$\pm 5/16\text{mm}$ J3 8
				$\pm 35/0\text{mm}$ G 4

1

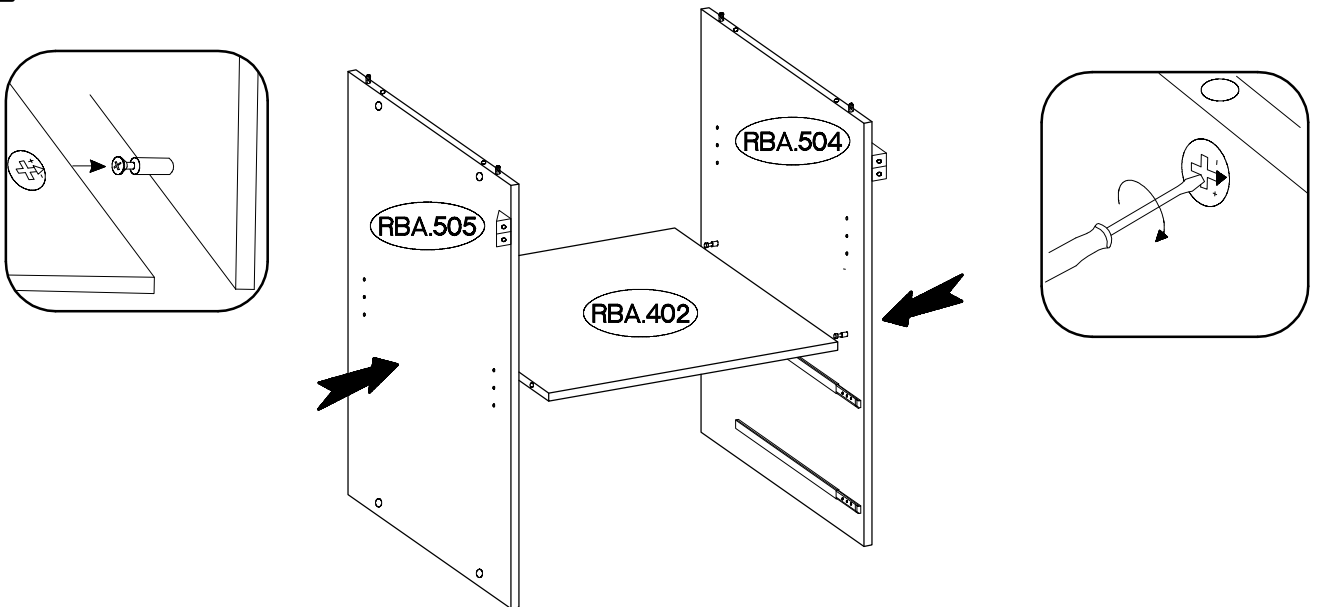
310/27mm  I	 T4	±8x30mm  A	±15/12mm  C	L=20mm  D2	±6,3x20mm  M3	 F10	±4.0x25mm  P14	±4.0x16mm  P1
2	2	16	20	20	8	6	6	13
 T9	±20/8mm  J14							
9	8							



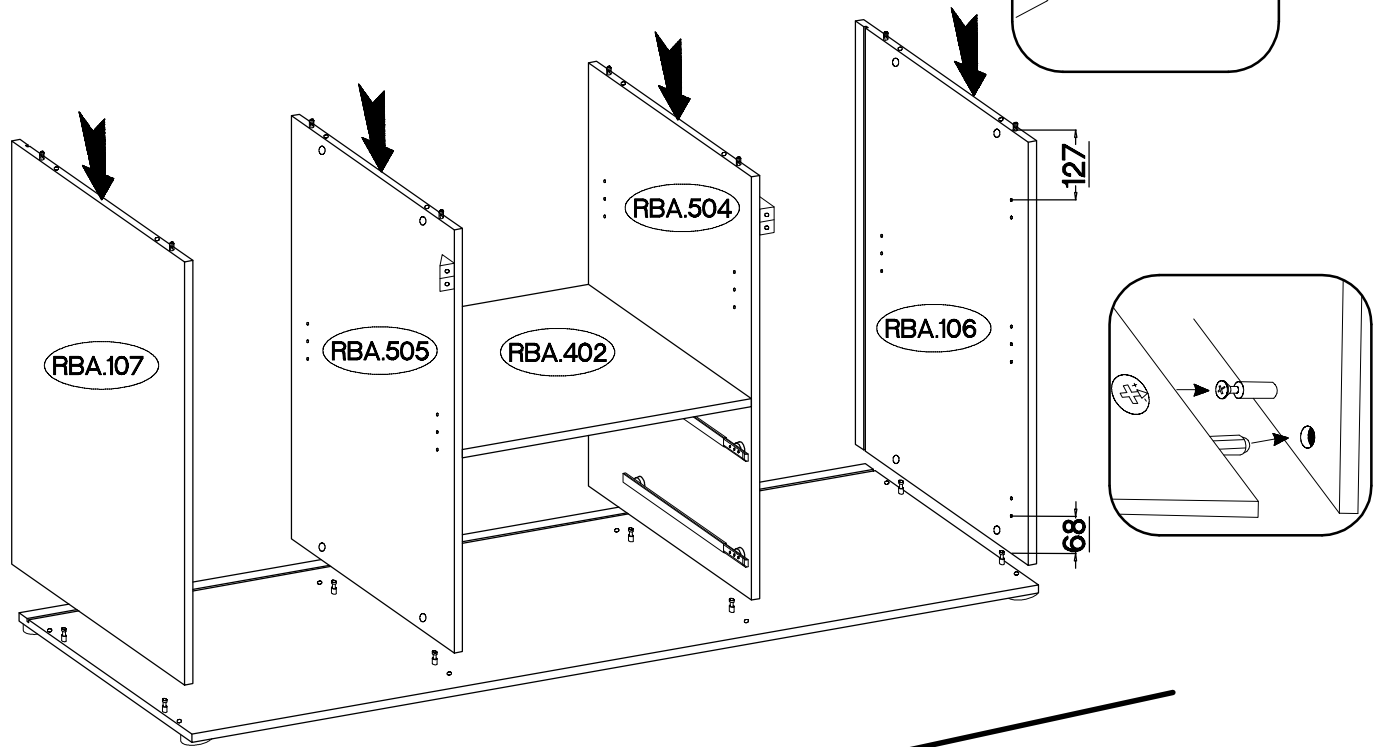
1



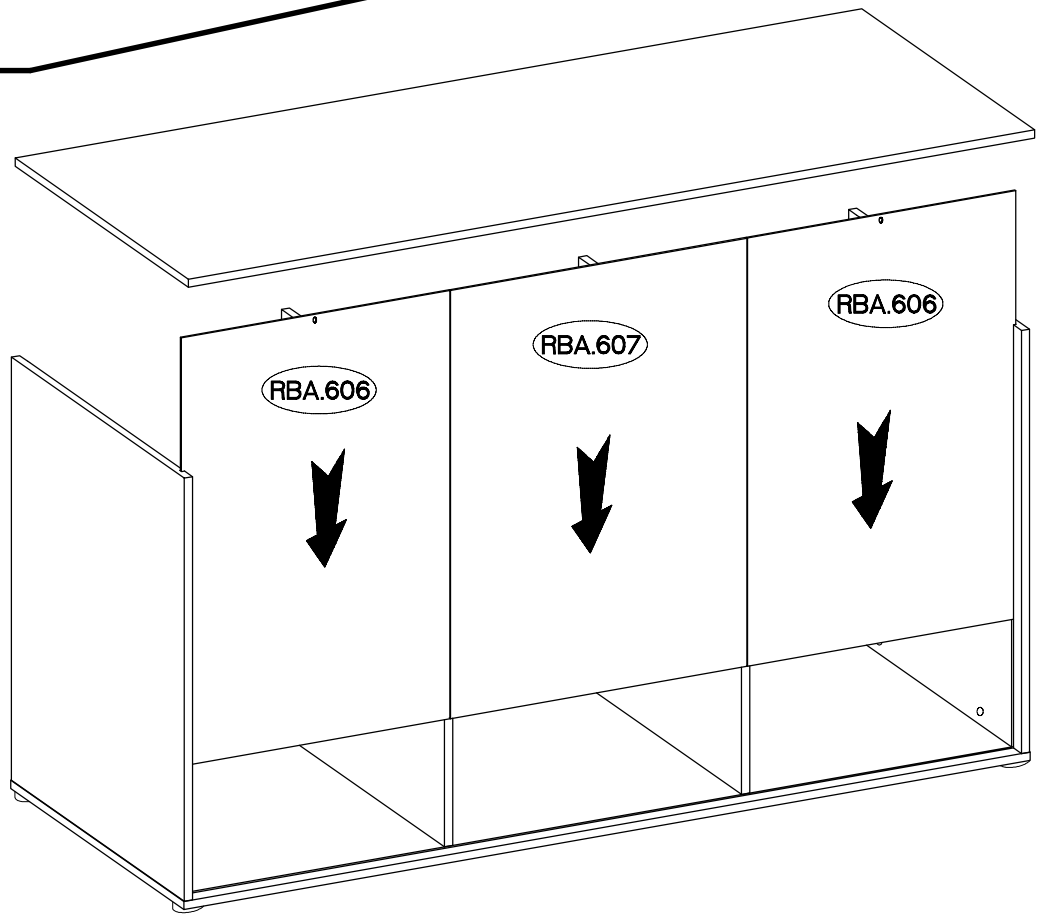
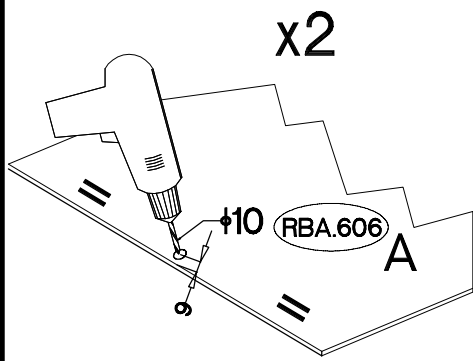
2



3



4



5

±3.0x20mm



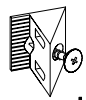
P7

13



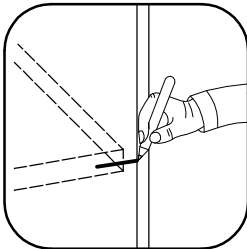
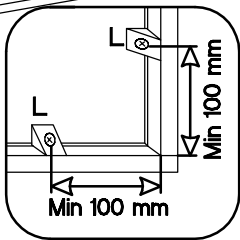
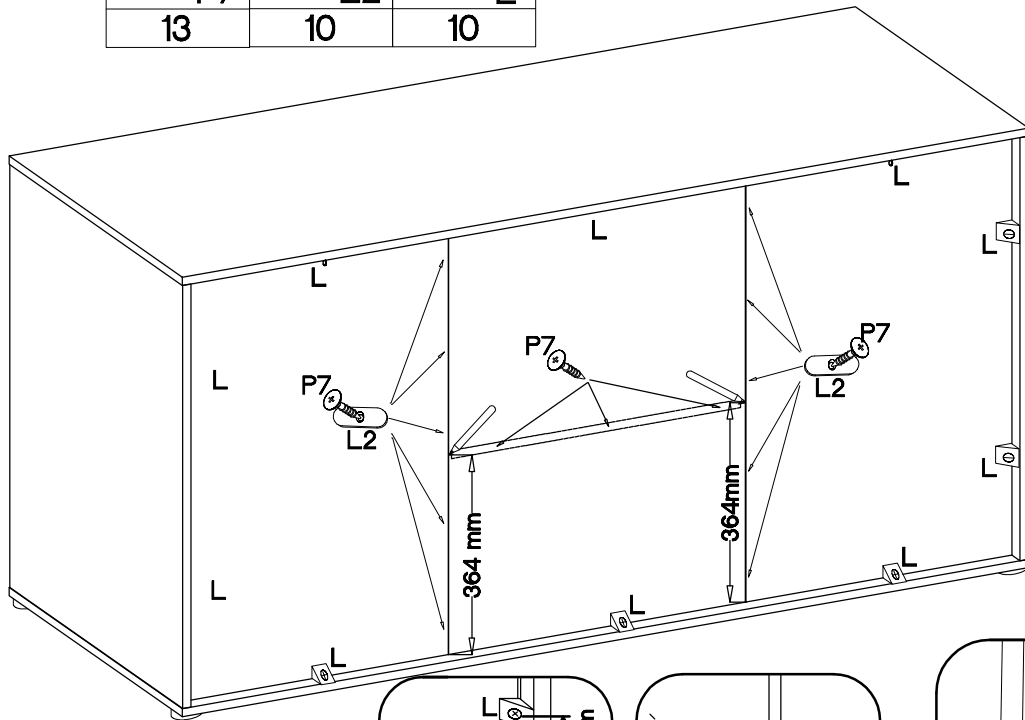
L2

10

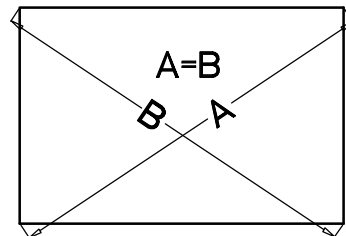


L

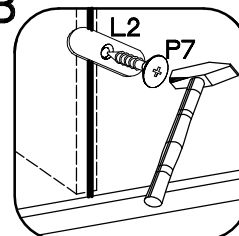
10



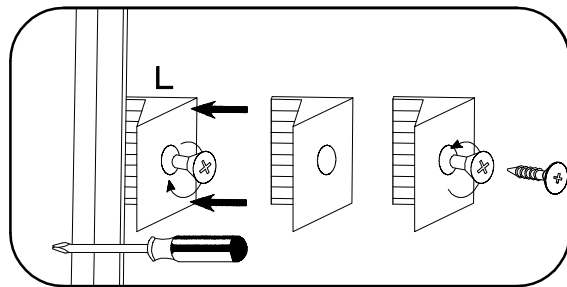
A



B



C



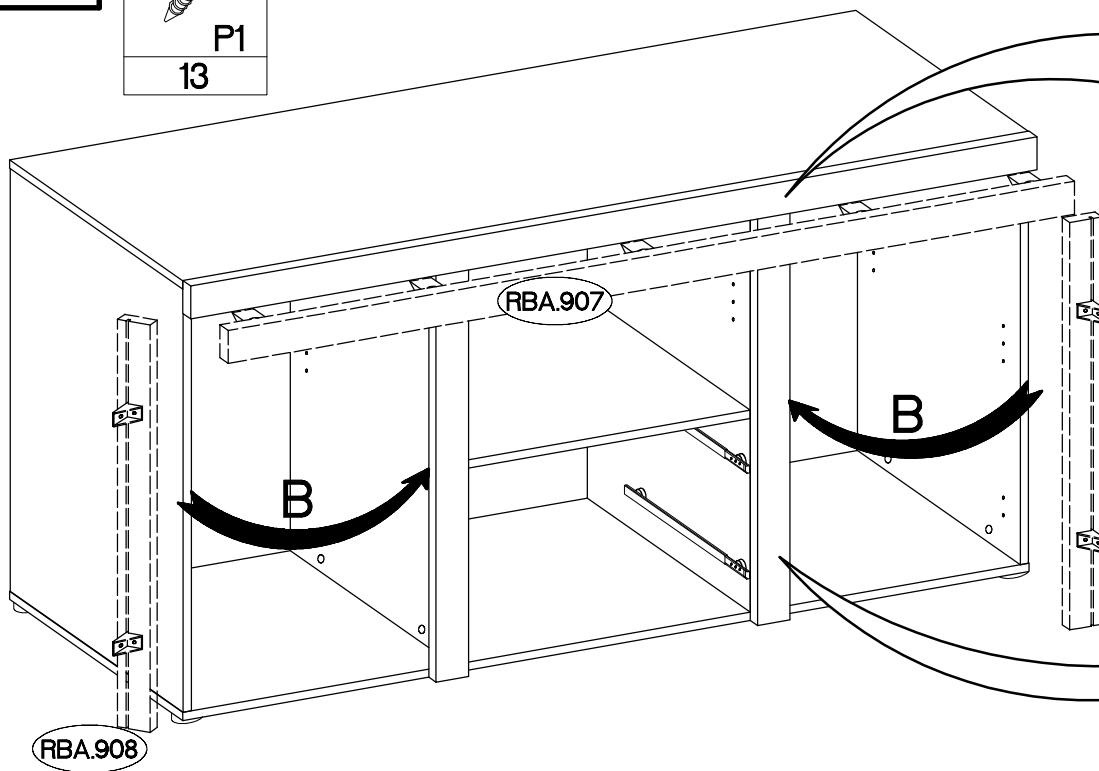
6

±4.0x16mm

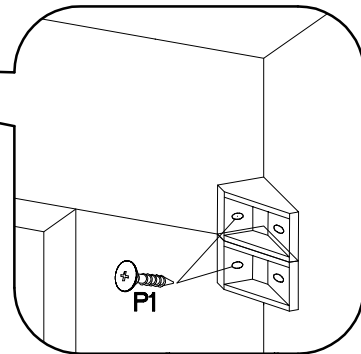


P1

13



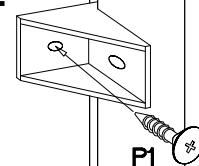
x2



RBA.908

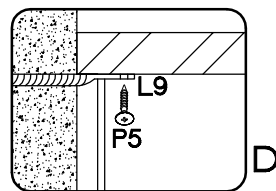
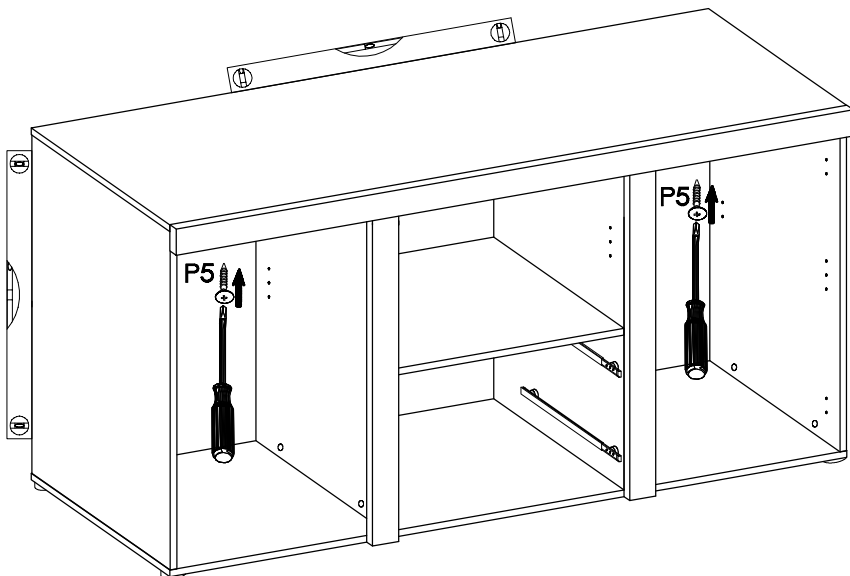
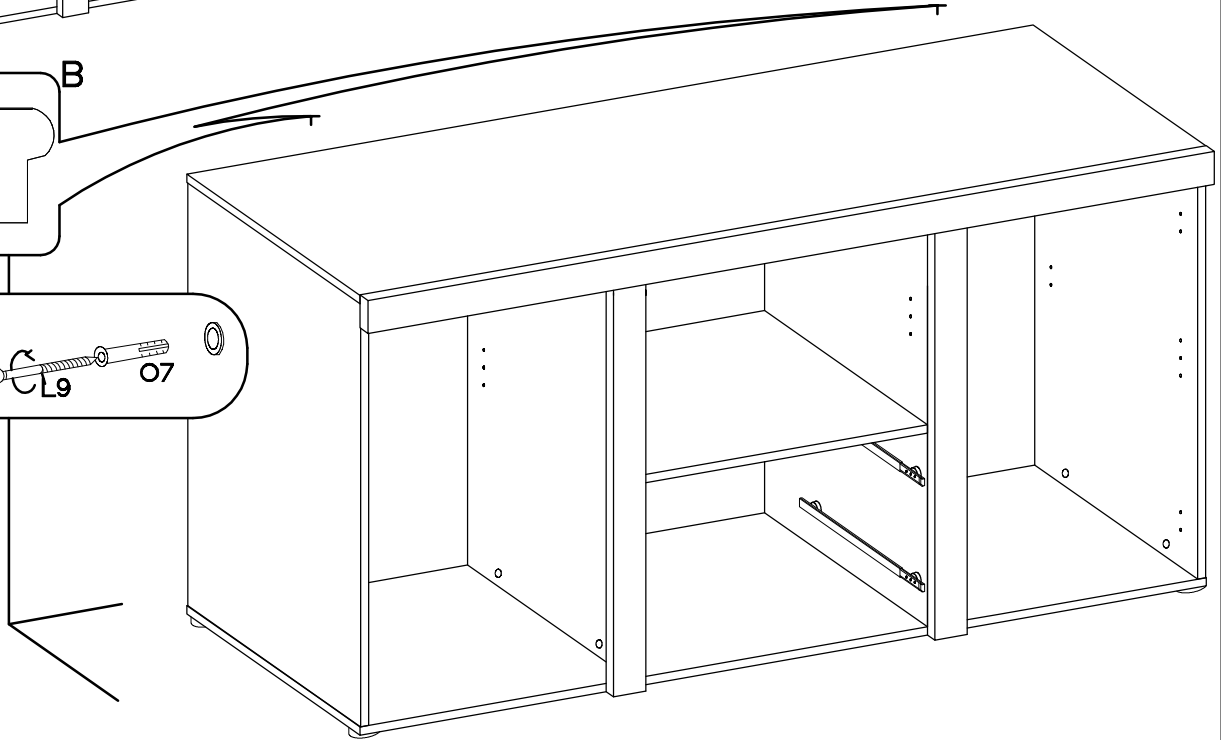
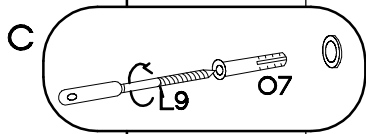
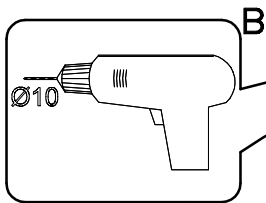
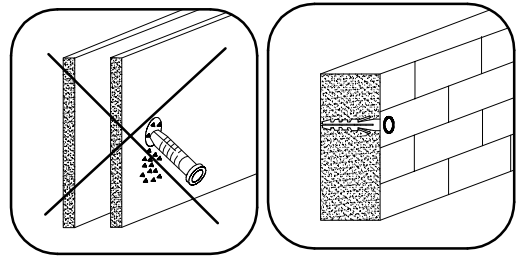
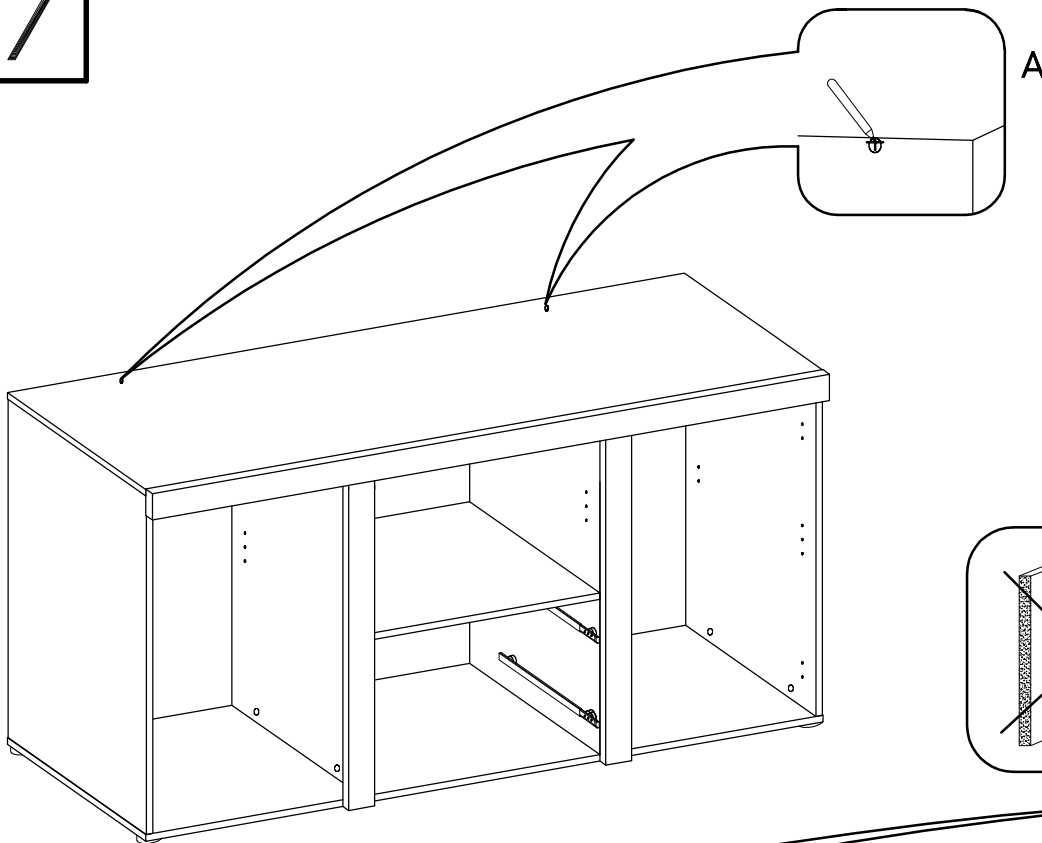
x9


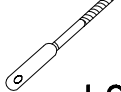

A.



RBA.908

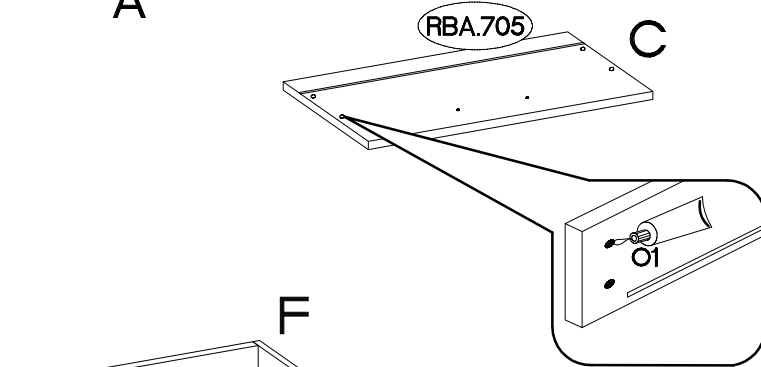
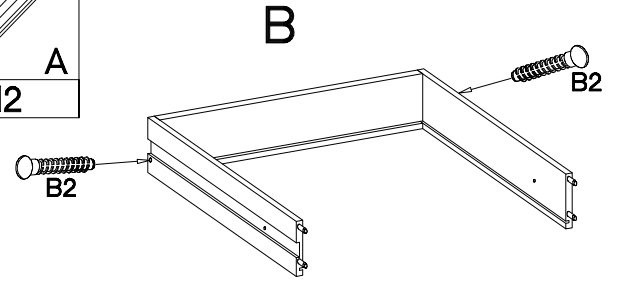
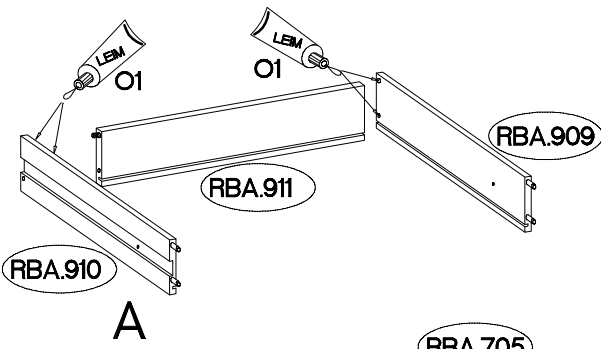
7



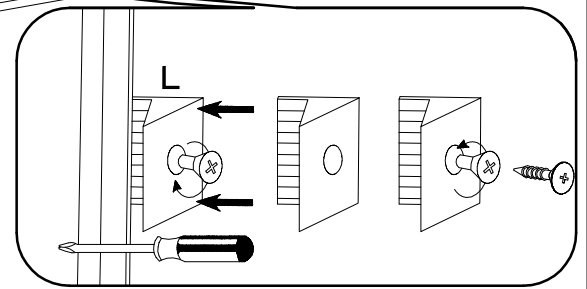
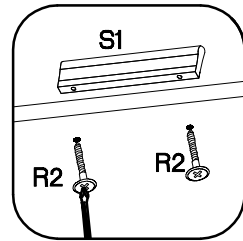
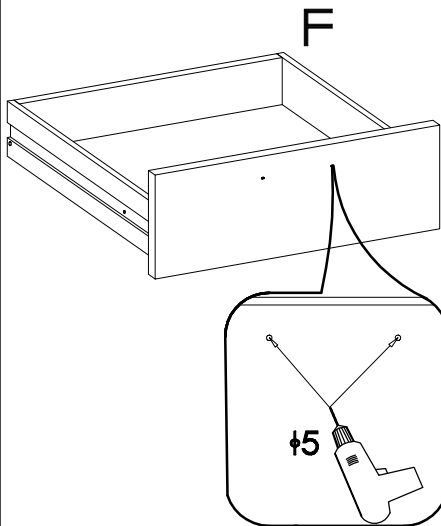
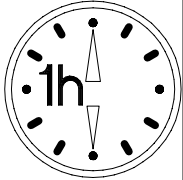
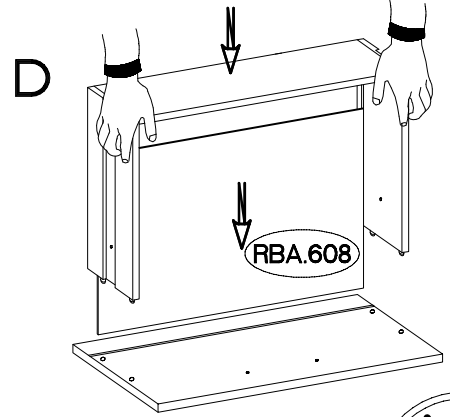
†10x50mm		†3.5x13mm
		
O7	L9	P5
2	2	2

8

+6x42mm B2 4	O1 1	L=128mm S1 2	+4.0x30mm R2 4	L 4	+8x30mm A 12
--------------------	---------	--------------------	----------------------	--------	--------------------

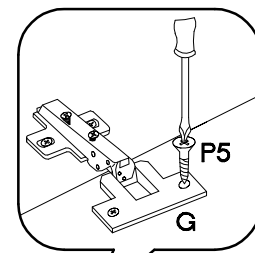
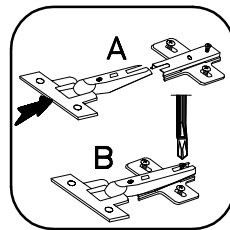


x2

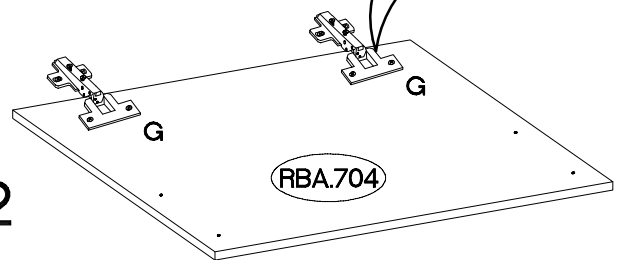


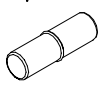
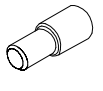
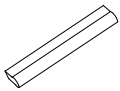
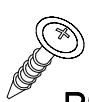


9

H=0 H 4	+35/0mm G 4	+3.5x13mm P5 8
---------------	-------------------	----------------------



x2



$\varnothing 5/16\text{mm}$  J3 8	 J12 4	$L=128\text{mm}$  S1 2	$\varnothing 4.0 \times 30\text{mm}$  R2 4	$M4 \times 9\text{mm}$  U1 4	 E 16
---	---	--	--	--	--

